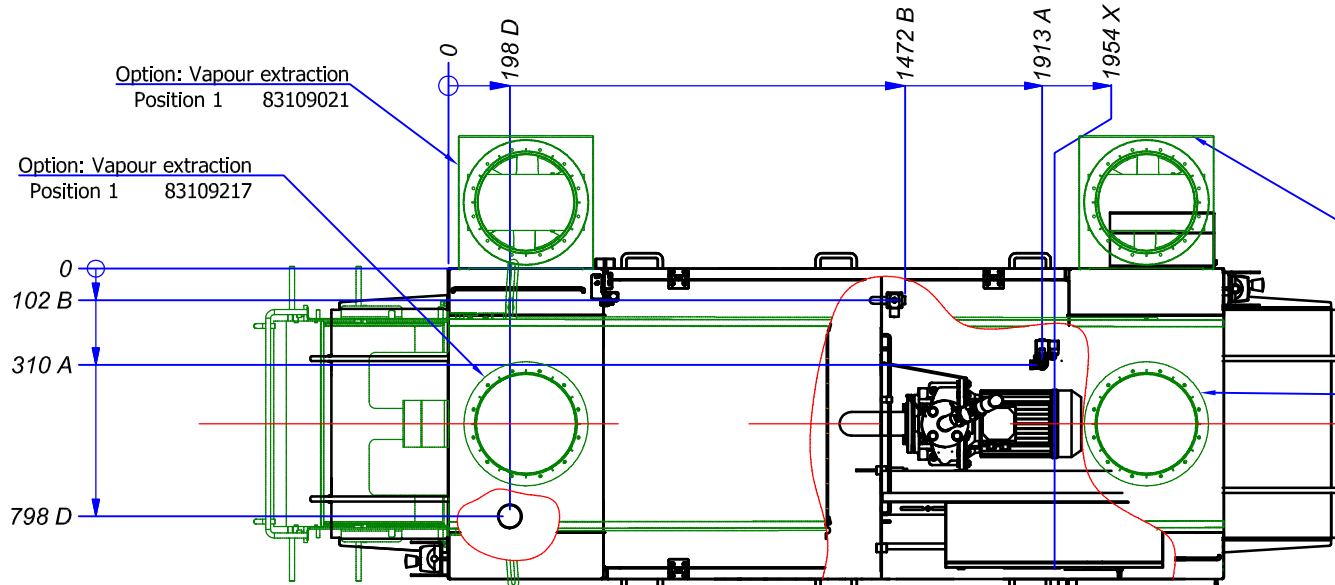


EKW 2500 machine info:

Overall dimensions: 3390x 1230x 1600 (LxWxH) mm
Capacity constant: max 400 crates per hour
Trackwidth: 250-600mm
Tank capacity: 350 litres
Pump: 5,5 kW
Washing nozzles: 43 pcs of plastic nozzles
Transport drive: 0,18 kW

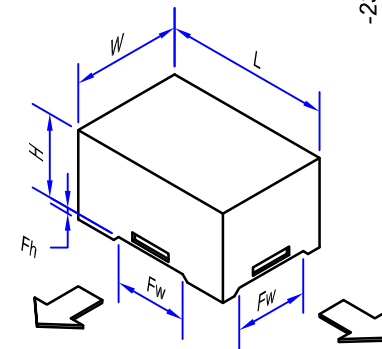
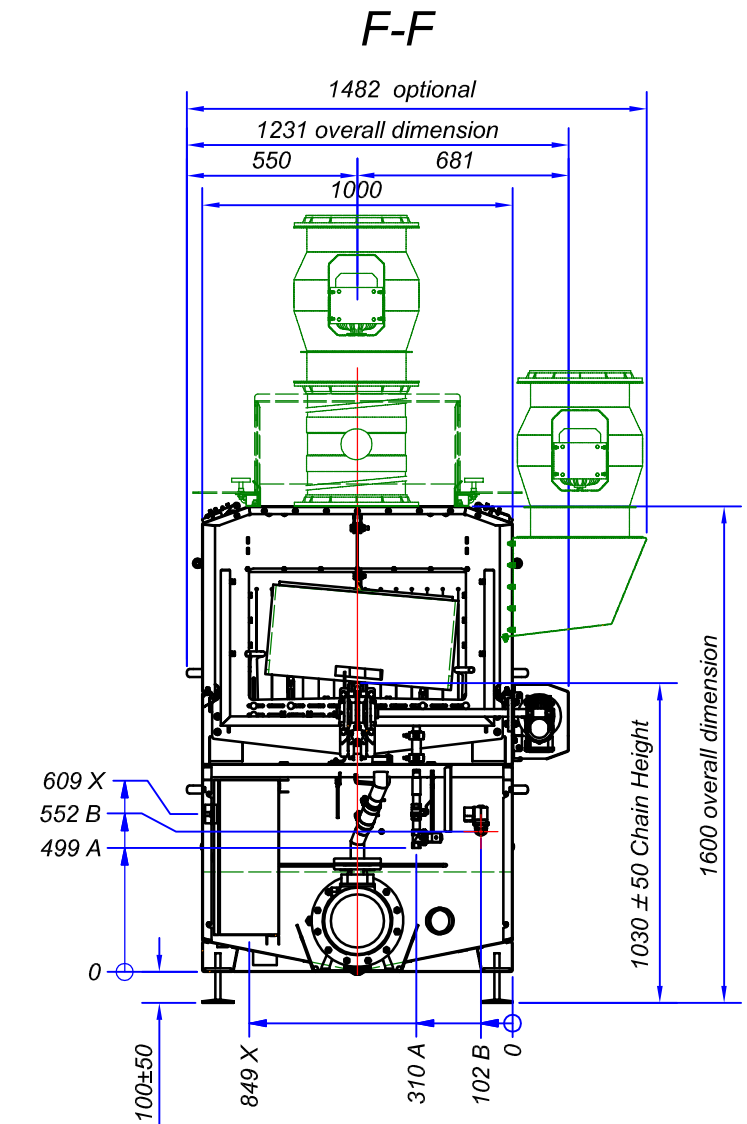
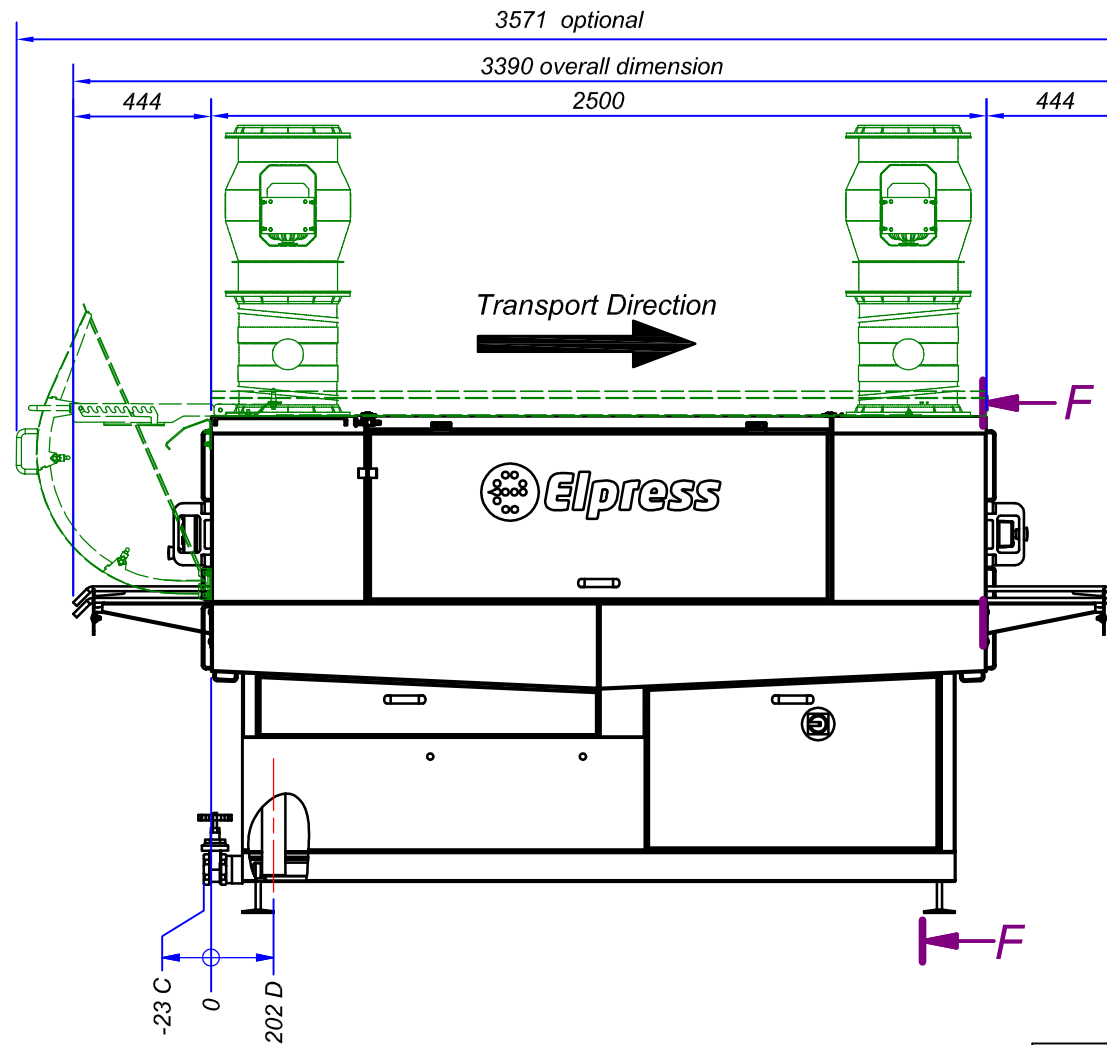
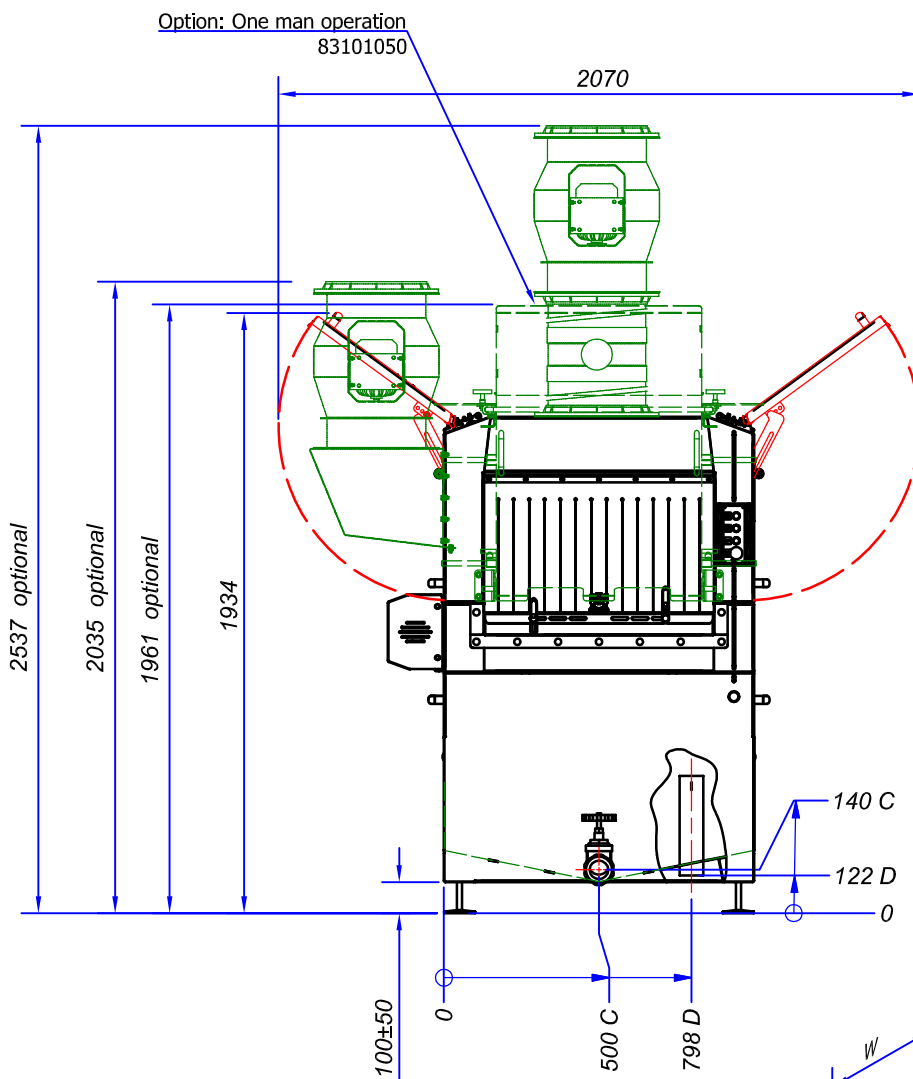
Crates dimensions:

- L - 250 ~ 600 mm
 - W - 250 ~ 600 mm
 - H - 70 ~ 300 mm
 - Fh - 0 ~ 20 mm
 - Fw - min 150 mm



Connections:

A - Water supply rinsing inlet -1/2" female solenoid valve
 B - Water supply tank inlet - 1/2" female solenoid valve
 C - Water discharge - 3" female slide valve
 D - Overflow - 3" diary pipe (76,1mm)
 X - Electrical supply - 3 x 400-415V + N + PE (50Hz)



Title: General lay-out EKW2500			
Drawn	Date	Scale	Client
JRo	14.06.2013	N.A.	
Rev.	a.	c.	e.
	b.	d.	f.
Size	Elpress BV		Project no.
A	Handelstraat 21 5831 AV Boxmeer-NL		Drawing nr.
Projection	Tel. : 0485-516969 Fax. : 0485-514022		1302002626A
THIS DRAWING IS THE PROPERTY OF ELPRESS BV HOLLAND. IT IS A CONFIDENTIAL DOCUMENT AND MAY NOT BE COPIED, USED OR ITS CONTENTS DIVULGED WITHOUT PRIOR WRITTEN CONSENT.			