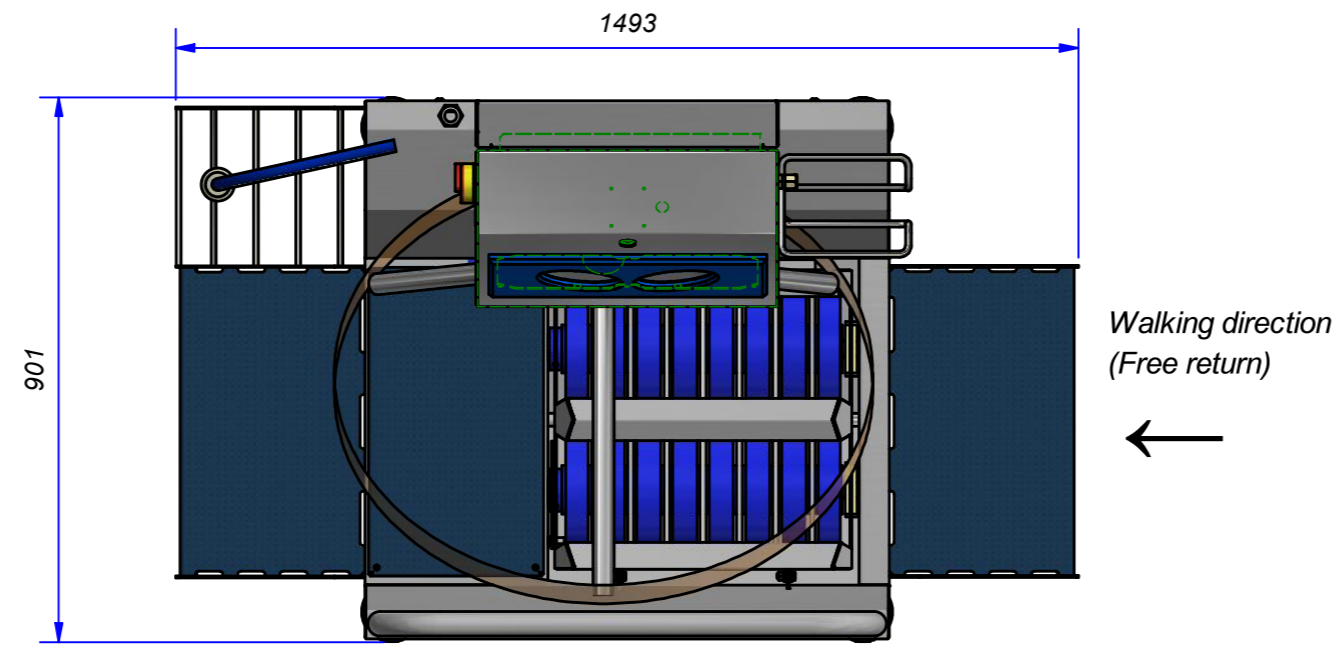
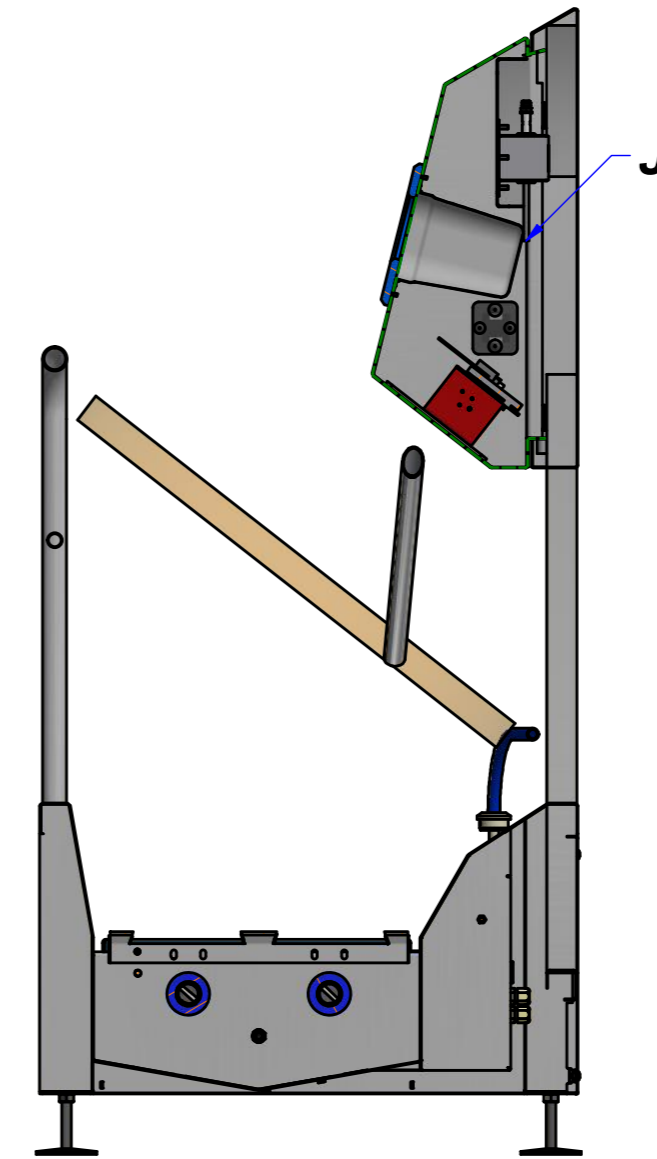


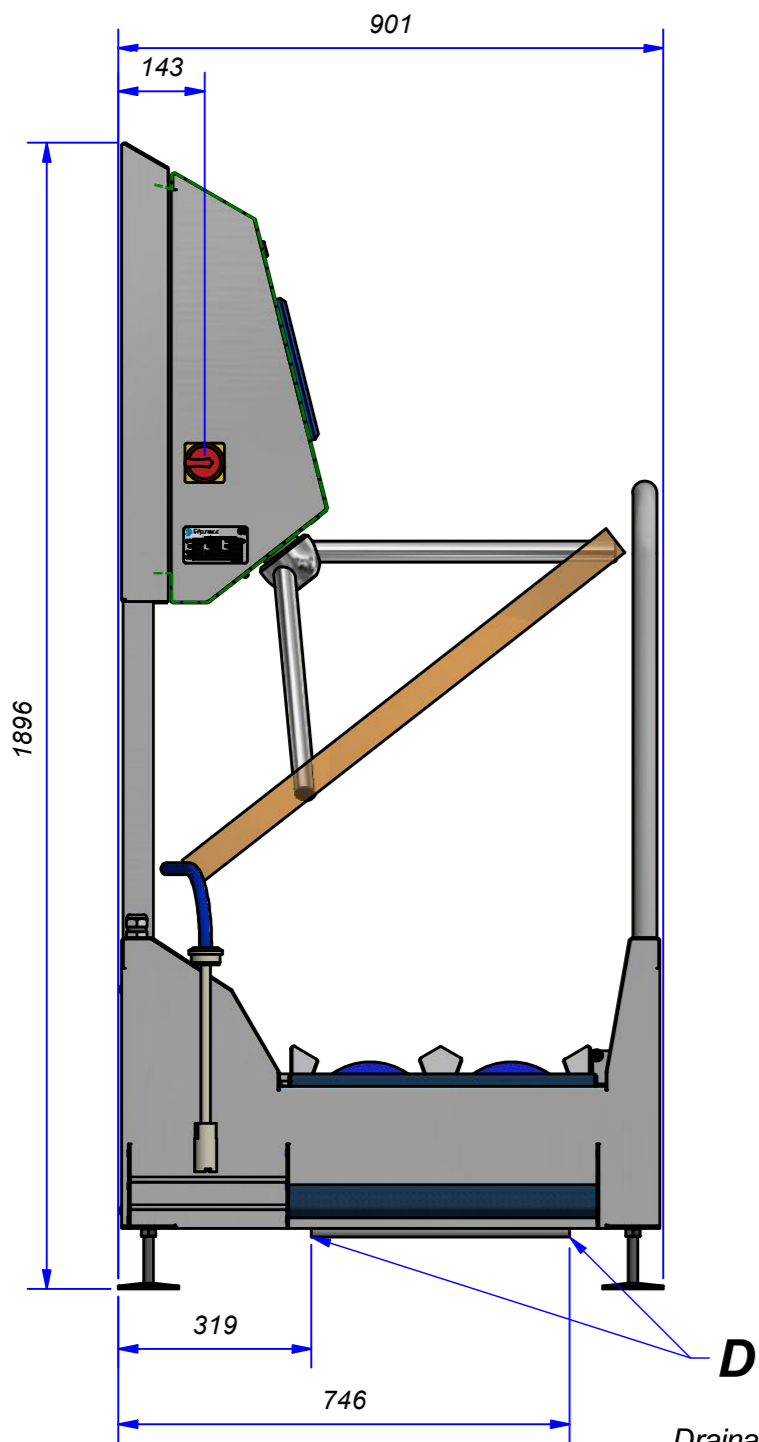
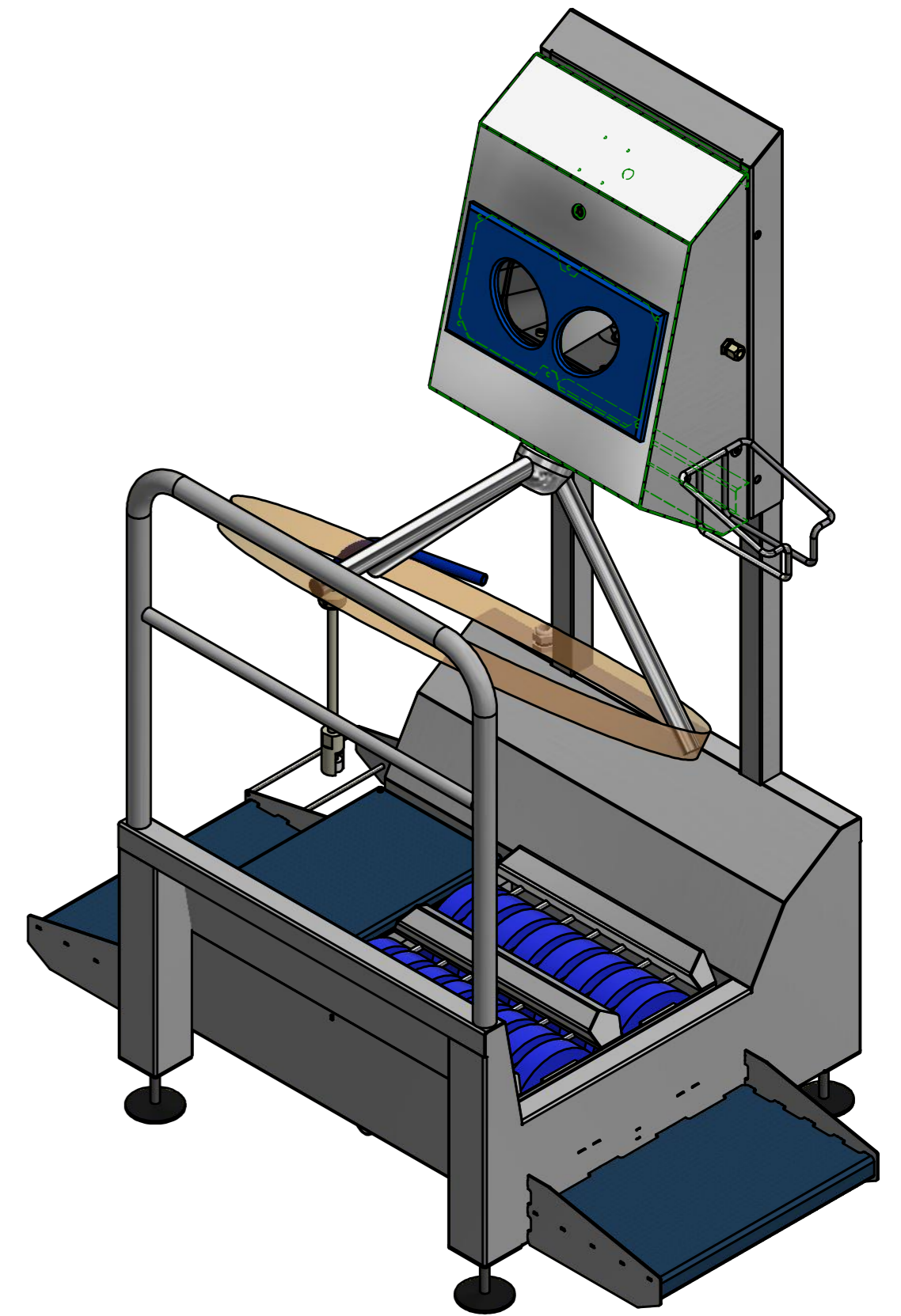
A-A (1 : 12.5)



Top view

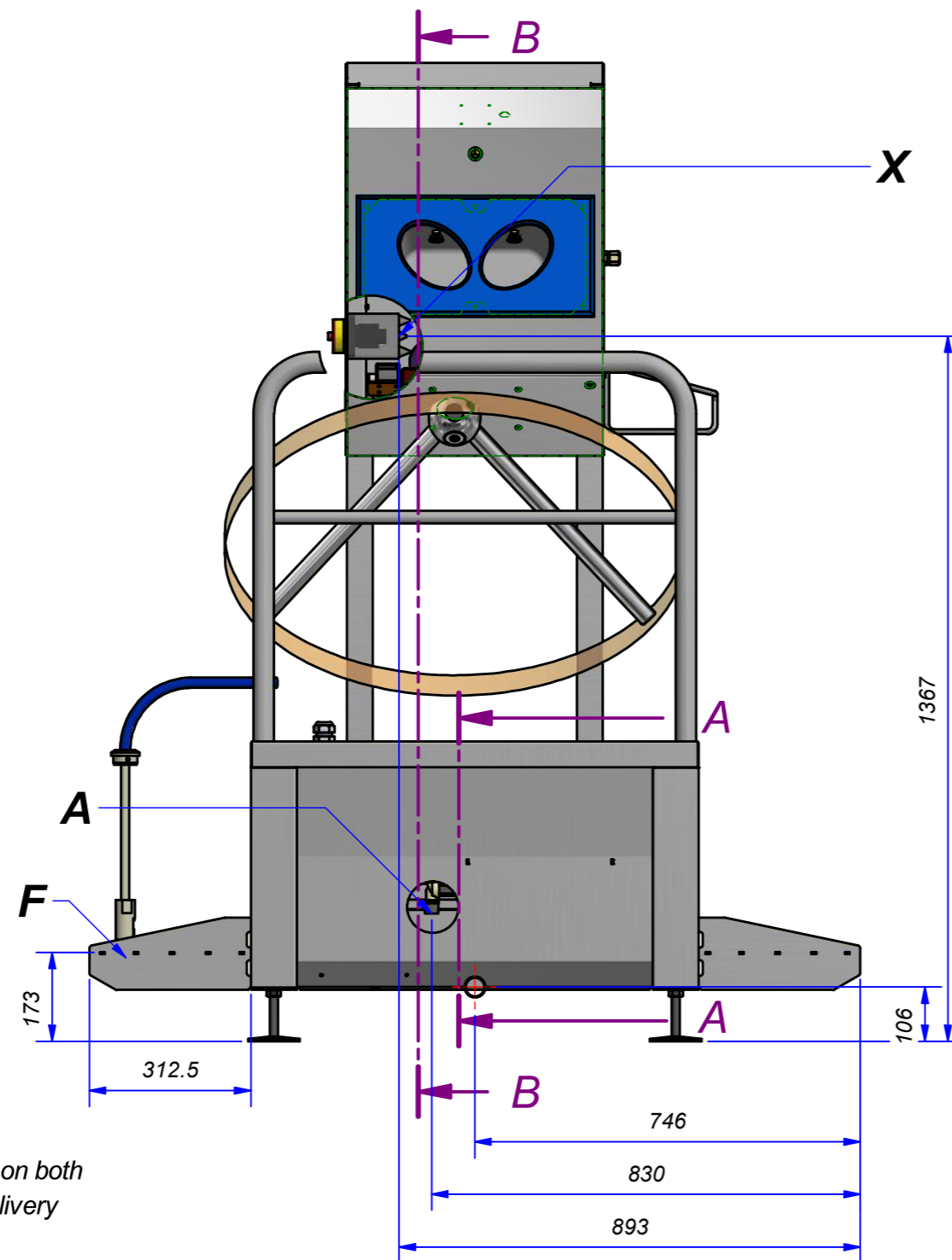


B-B (1 : 12.5)



Side view

Drainage standard on both sides opened at delivery



Front view

Connection values

A	Cold water in	3/4" BSP Male
D	Drainage	Ø40 mm
F	Chemical in	
J	Disinfection in	
X	Electrics	400 V / 50 Hz (3 ph + E + 0)
	Total power	1 kW
	Security	16 A
	Simultaneous value	100 %
	Connection	CC-flex cable 5 x 1,5 mm ²

Transport details

Packing method	Pallet with box
Packed dimensions	
Packed weight	
Weight	

The displayed jerrycan is not part of standard delivery

Min. operating pressure 2.5 bar.
 Max. operating pressure 4 bar.
 Recommended operating pressure 3 bar.

Title Layout DZW-HDT-500-R				
Article number 83201980	Drawing number 1403001374	Revision A	Material AISI 304 (1.4301)	CE
Handelstraat 21 5831 AV Boxmeer tel. : +31 (0)485 516969 fax.: +31 (0)485 514022 www.elpress.com		Projection Date 2-6-2014	Engineer evdh	
THIS DRAWING IS PROPERTY OF ELPRESS BV. IT IS A CONFIDENTIAL DOCUMENT AND MAY NOT COPIED, USED OR PUBLISHED WITHOUT WRITTEN PERMISSION				