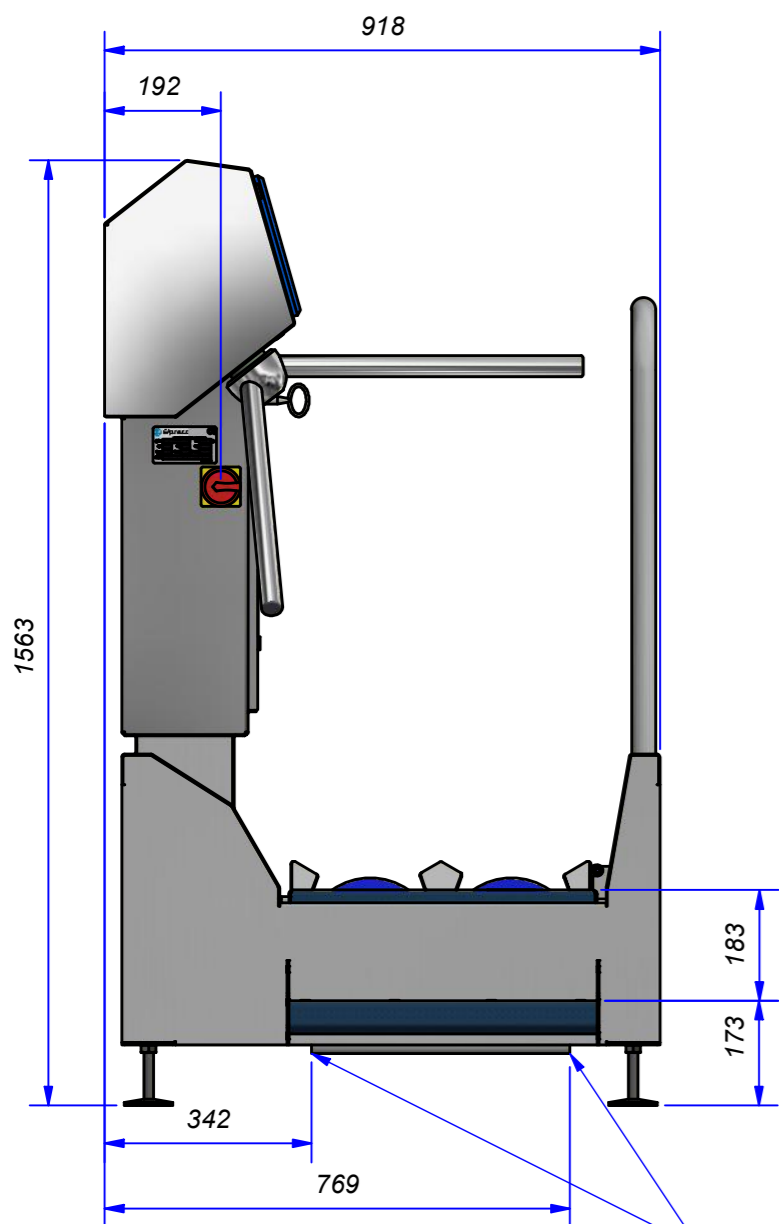
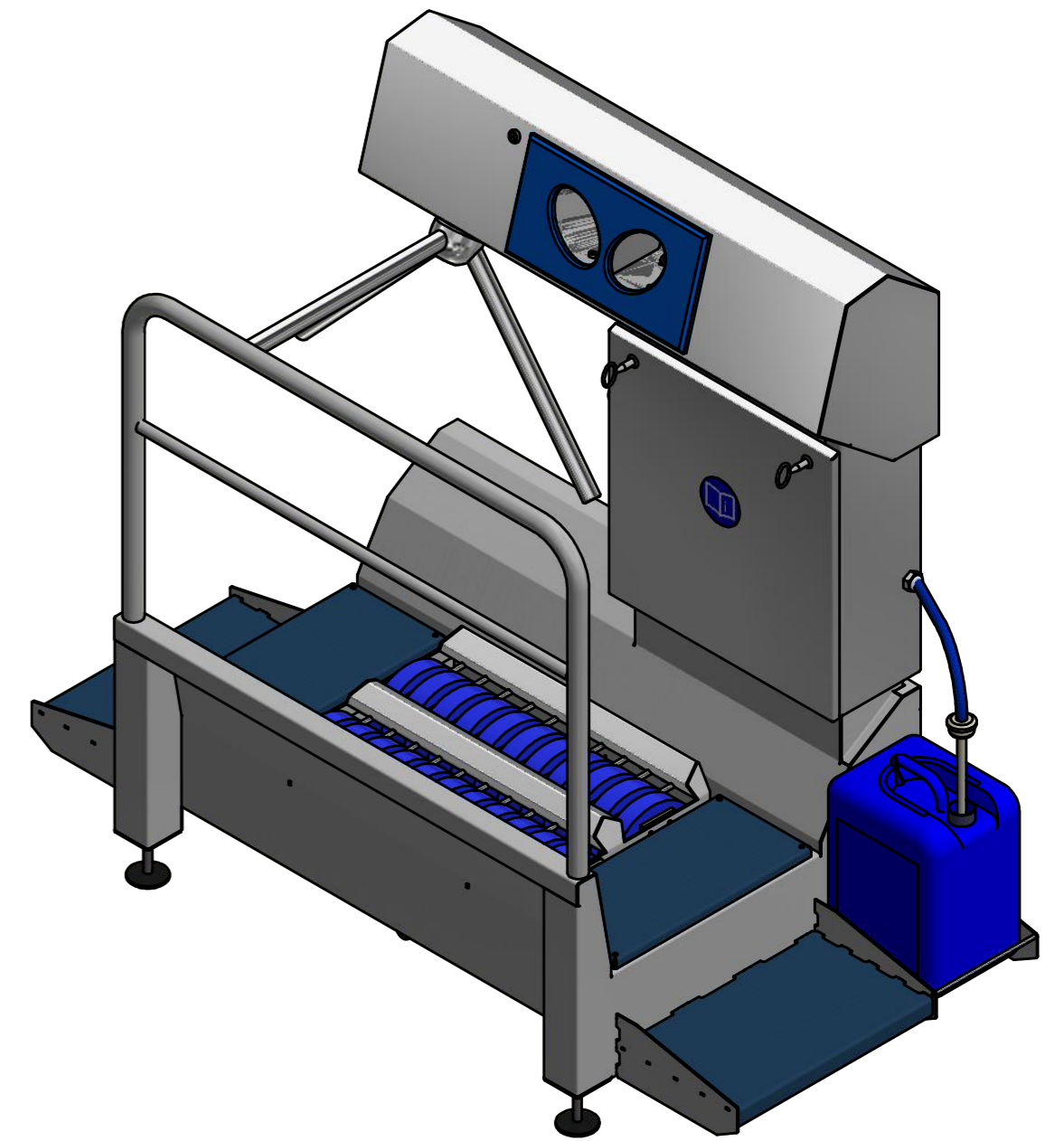


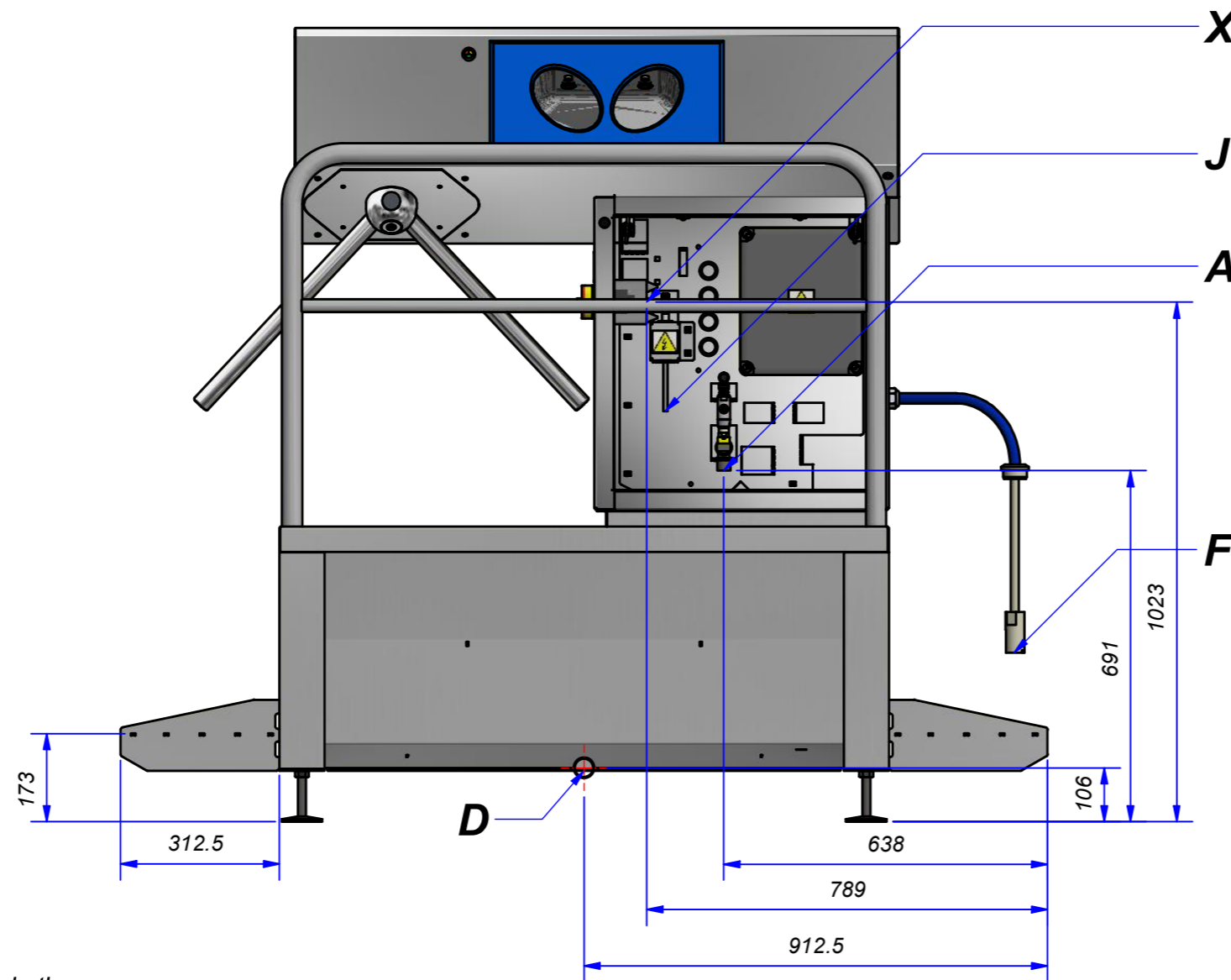
← Walking direction  
(Free return)

Top view



Side view

**D**  
Drainage standard on both  
sides opened at delivery



Front view

**Connection values**

A	Water in	3/4" BSP Male
D	Drainage	Ø40 mm
F	Chemical in	
J	Desinfection in	
X	Electrics	400 V / 50 Hz (3 ph + E + 0)
	Total power	1 kW
	Security	16 A
	Simultaneous value	100 %
	Connection	CEE-shape electrical outlet (5-pole)

**Transport details**

Packing method	Wooden pallet with wooden frame
Packed dimensions	
Packed weight	
Weight	

The displayed jerrycan is not part of standard delivery

Min. operating pressure 2.5 bar.  
Max. operating pressure 4 bar.  
Recommended operating pressure 3 bar.

Title <b>Lay out DZW-HDT-700-R</b>		Customer		
Article no. 83202000	Drawing no. <b>1303003920</b>	Drawn by EvdH		
 Handelstraat 21 NL - 5831 AV Boxmeer The Netherlands tel. : +31 (0)485 516969 fax.: +31 (0)485 514022 www.elpress.com	Projection 	Date 14-10-2013	Rev. <b>B</b>	
	THIS DRAWING IS PROPERTY OF ELPRESS BV. IT IS A CONFIDENTIAL DOCUMENT AND MAY NOT COPIED, USED OR PUBLISHED WITHOUT WRITTEN PERMISSION.			