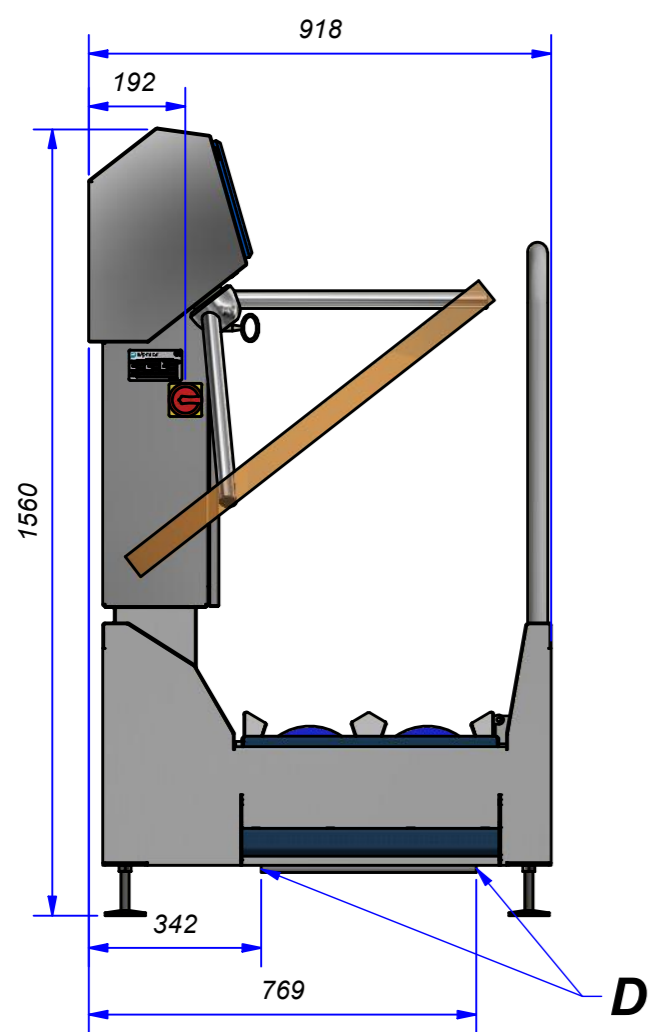
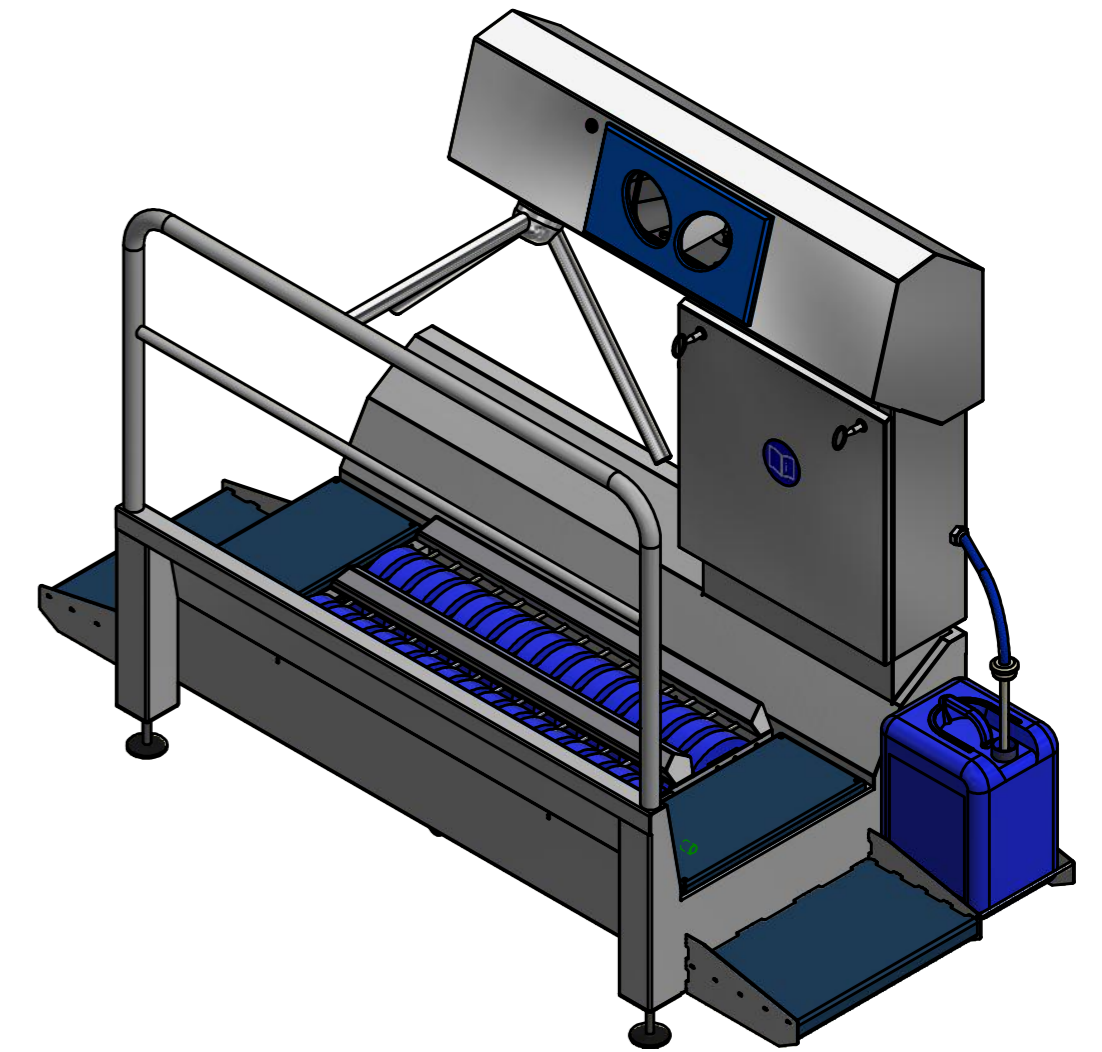


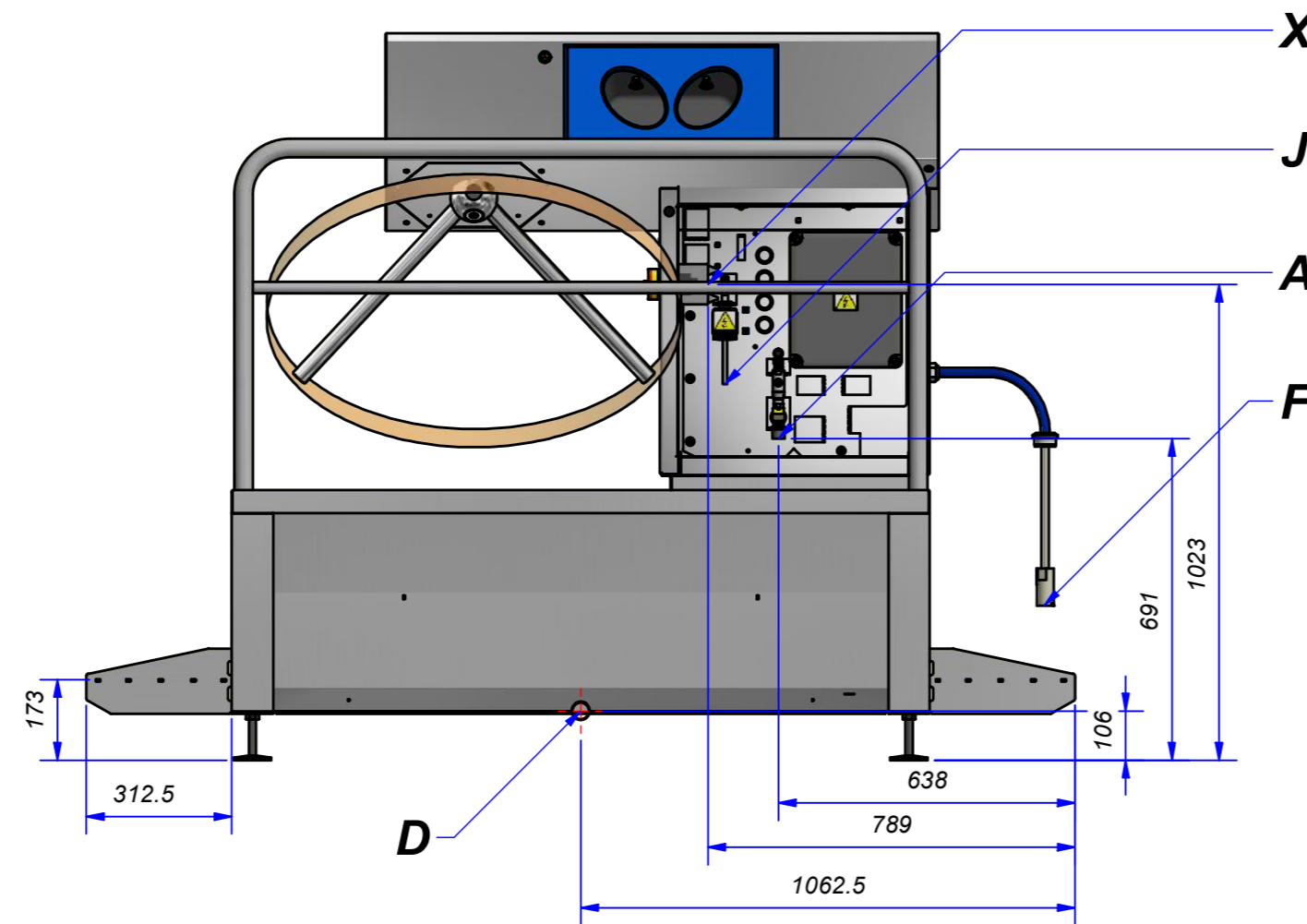
← Walking direction
(Free return)

Top view



Side view

Drainage standard on both sides opened at delivery



Front view

Connection values

A	Water in	3/4" BSP Male
D	Drainage	Ø40 mm
F	Chemical in	
J	Desinfection in	
X	Electrics	400 V / 50 Hz (3 ph + E + 0)
	Total power	1 kW
	Security	16 A
	Simultaneous value	100 %
	Connection	CEE-shape electrical outlet (5-pole)

Transport details

Packing method	Wooden pallet with wooden frame
Packed dimensions	225x105x193 cm
Packed weight	325 kg
Weight	225 kg

The displayed jerrycan is not part of standard delivery

Min. operating pressure 2.5 bar.
Max. operating pressure 4 bar.
Recommended operating pressure 3 bar.

Title Lay out DZW-HDT-1000-R		Customer		
Article no. 83202040	Drawing no. 1303002689	Drawn by EvdH		
	Handelstraat 21 NL - 5831 AV Boxmeer The Netherlands tel. : +31 (0)485 516969 fax.: +31 (0)485 514022 www.elpress.com	Projection 	Date 13-6-2013	Rev. A
	THIS DRAWING IS PROPERTY OF ELPRESS BV. IT IS A CONFIDENTIAL DOCUMENT AND MAY NOT COPIED, USED OR PUBLISHED WITHOUT WRITTEN PERMISSION.			