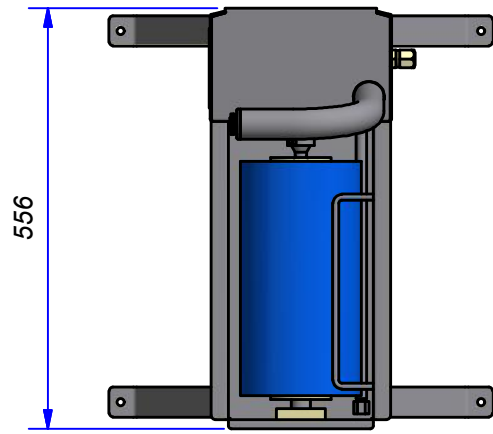
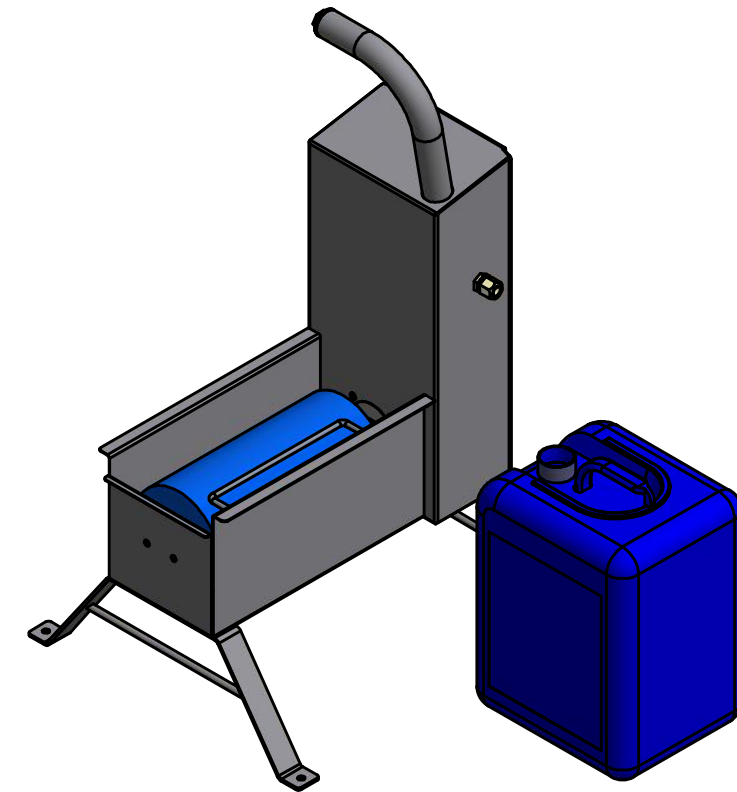
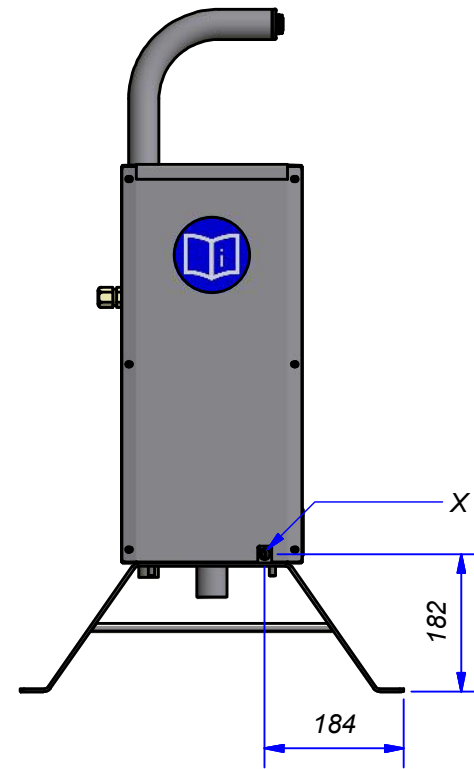


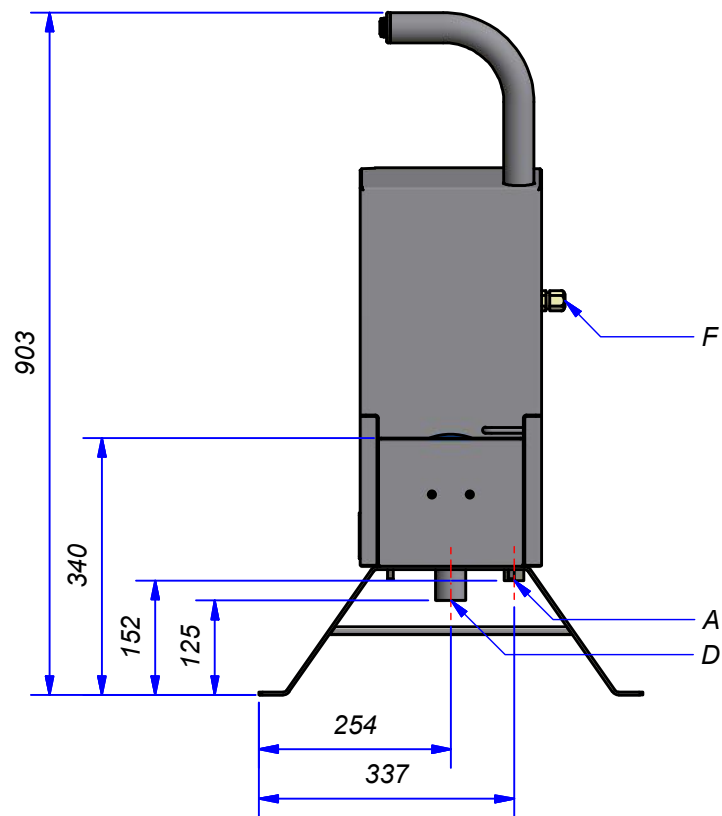
Top view



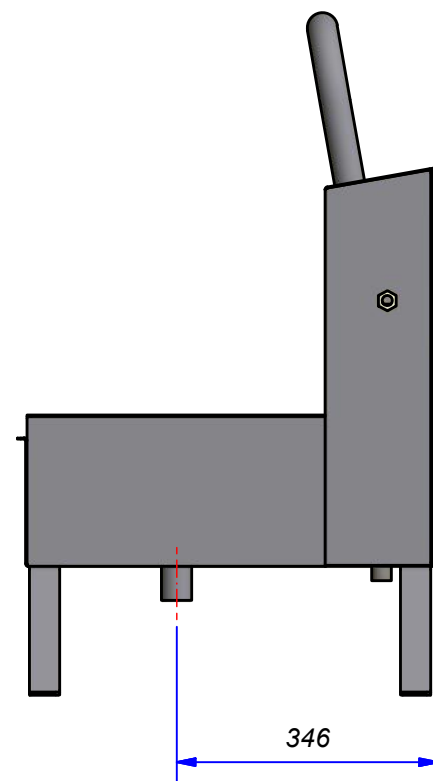
A 1 : 10



Front view



Side view



**Connection values**

A	Cold water in	3/4" BSP Male
D	Drainage	Ø40 mm
F	Chemical in	
X	Electrics	230 V / 50-60 Hz (1 ph + E + 0)
	Total power	0,2 kW
	Security	16 A
	Simultaneous value	100 %
	Connection	Schuko plug

**Transport details**

Packing method	Pallet with box
Packed dimensions	80x60x120 cm
Packed weight	40 kg
Weight	28 kg

The displayed jerrycan is not part of standard delivery

Title

Lay out EZW

Article number

83206020

Drawing number

1403002734

Revision

B

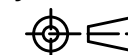
Material

AISI 304 (1.4301)



Handelstraat 21  
5831 AV Boxmeer  
tel. : +31 (0)485 516969  
fax.: +31 (0)485 514022  
www.elpress.com

Projection



Date

31-10-2014

Engineer

evdh

THIS DRAWING IS PROPERTY OF ELPRESS BV. IT IS A CONFIDENTIAL DOCUMENT AND MAY NOT COPIED, USED OR PUBLISHED WITHOUT WRITTEN PERMISSION