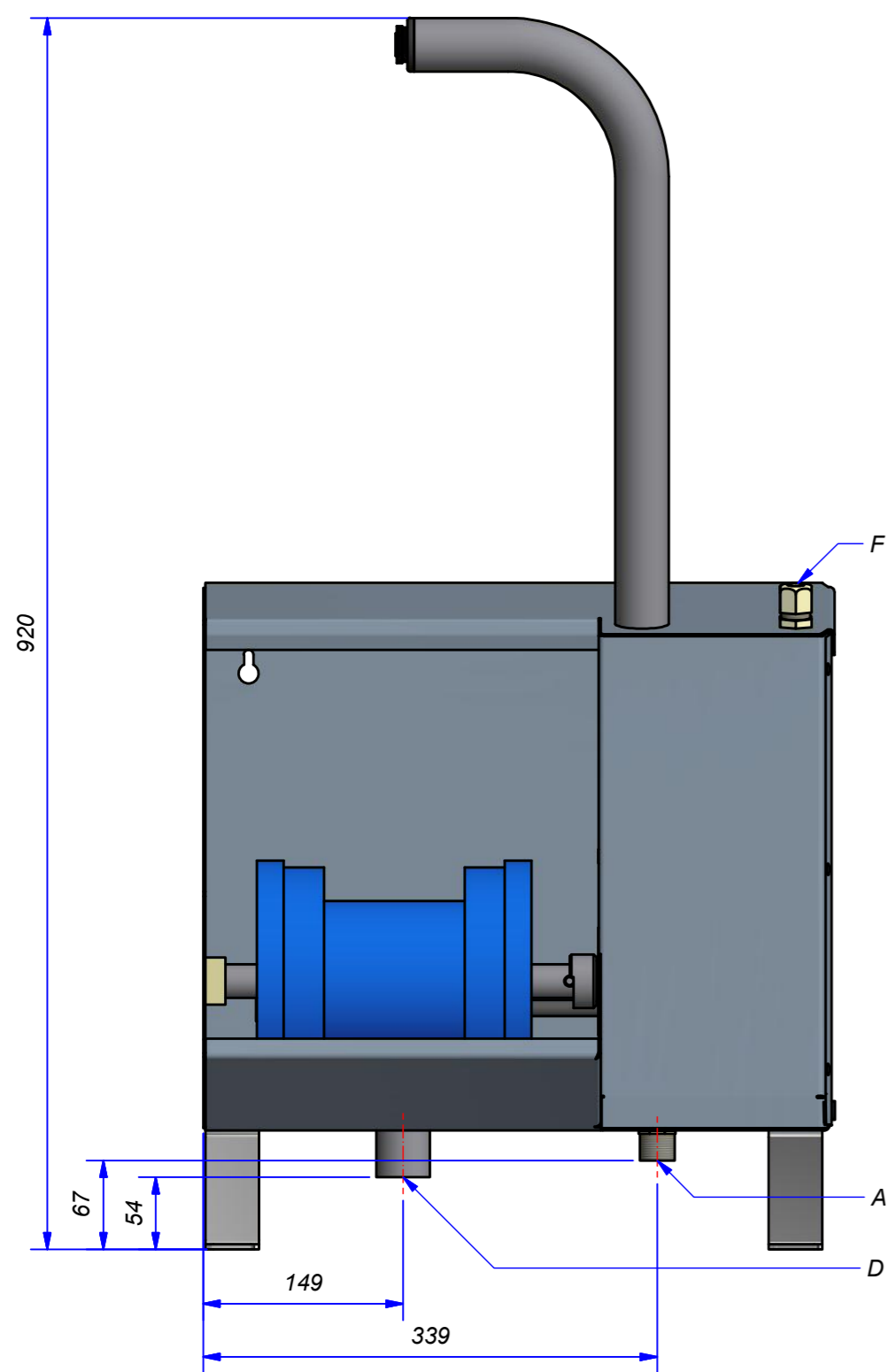
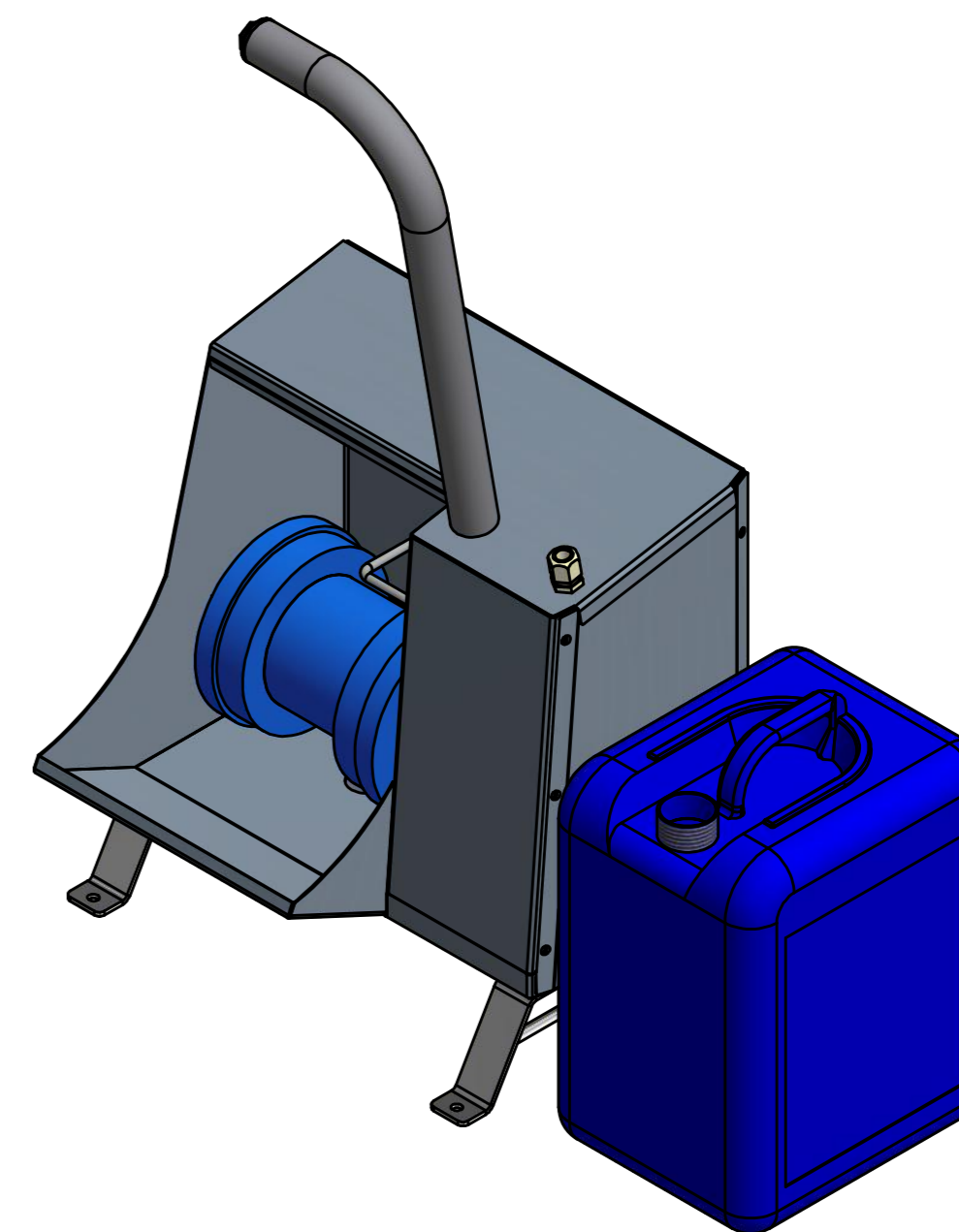
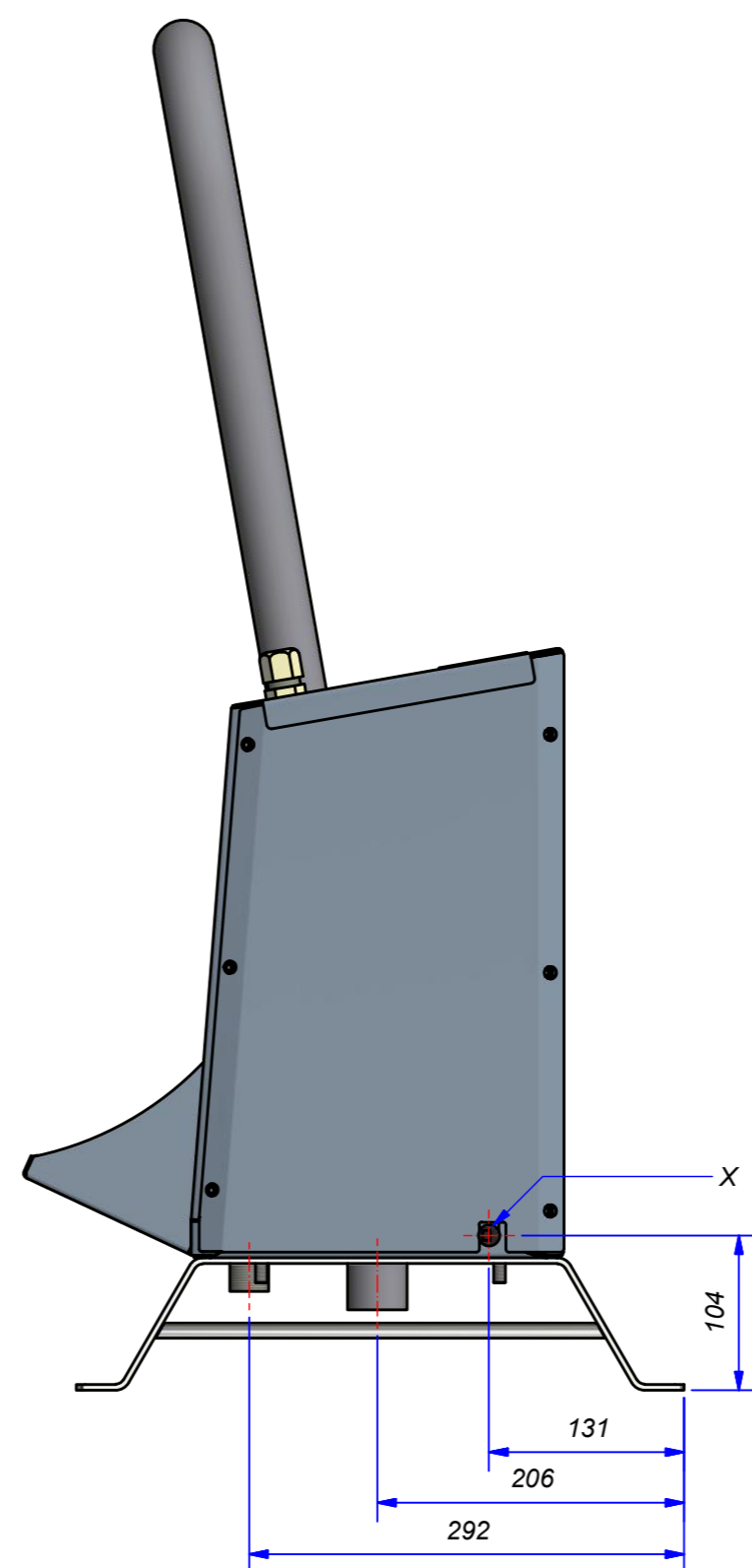


Front view



Side view



Connection values

A	Cold water in	3/4" BSP Male
D	Drainage	Ø40 mm
F	Chemical in	
X	Electrics	230 V / 50 Hz (1 ph + E + 0)
	Total power	0,2 kW
	Security	16 A
	Simultaneous value	100 %
	Connection	Schuko plug

Transport details

Packing method	Pallet with box
Packed dimensions	
Packed weight	
Weight	

The displayed jerrycan is not part of standard delivery

Title Lay out EZR Floor				
Article number 83206030	Drawing number 1603002161	Revision H	Material AISI 304 (1.4301)	
		Handelstraat 21 5831 AV Boxmeer tel. : +31 (0)485 516969 fax. : +31 (0)485 514022 www.elpress.com	Projection 	Date 31-3-2016
		Engineer evdh		
THIS DRAWING IS PROPERTY OF ELPRESS BV. IT IS A CONFIDENTIAL DOCUMENT AND MAY NOT COPIED, USED OR PUBLISHED WITHOUT WRITTEN PERMISSION				