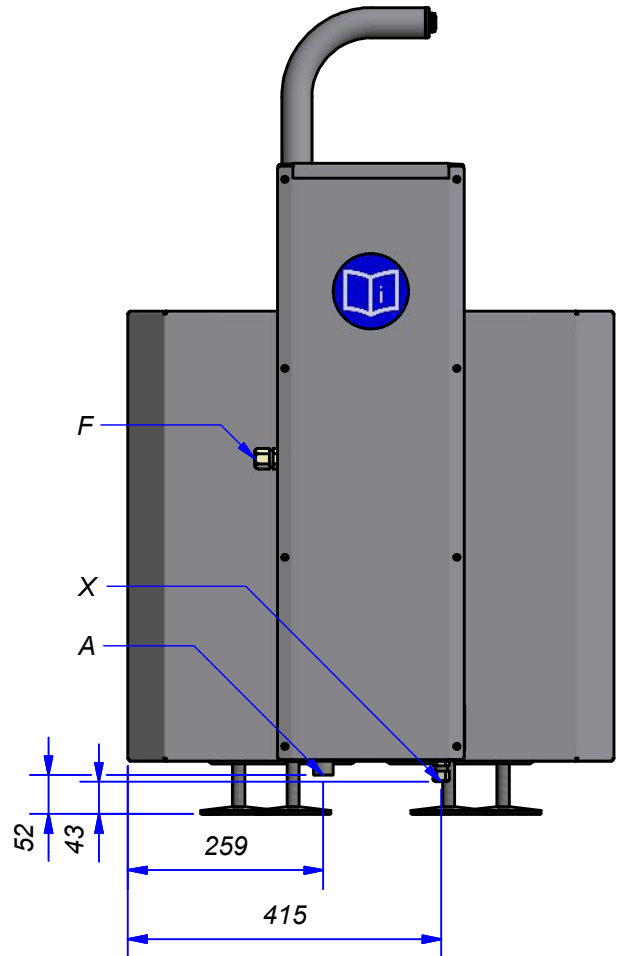
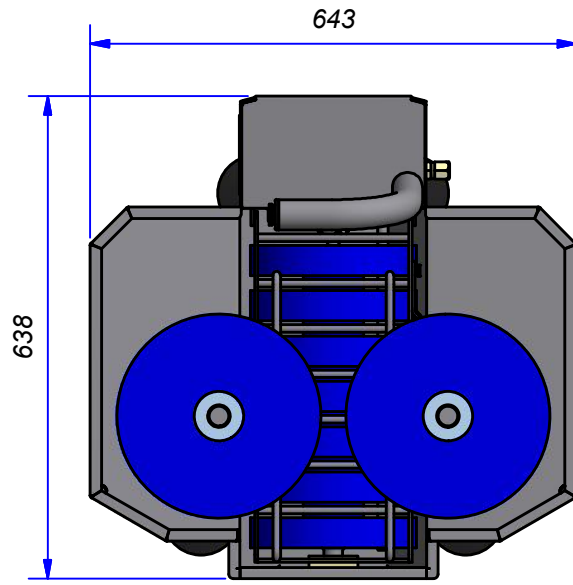


A (1:10)

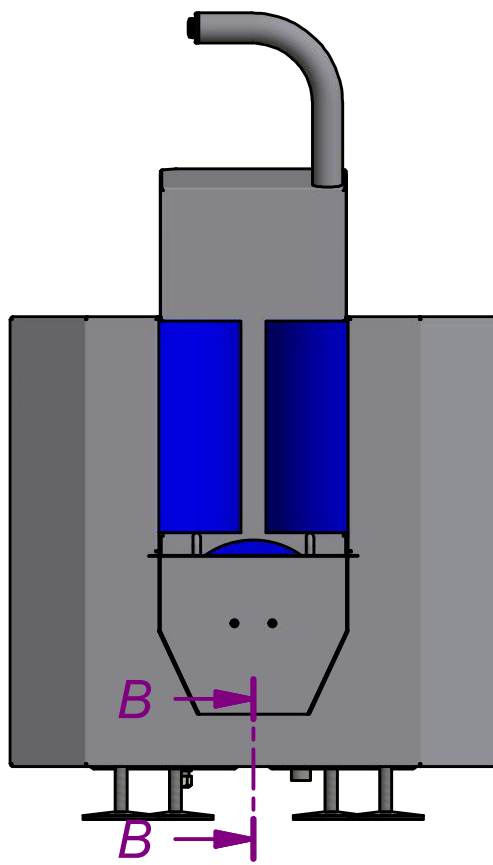


Side view

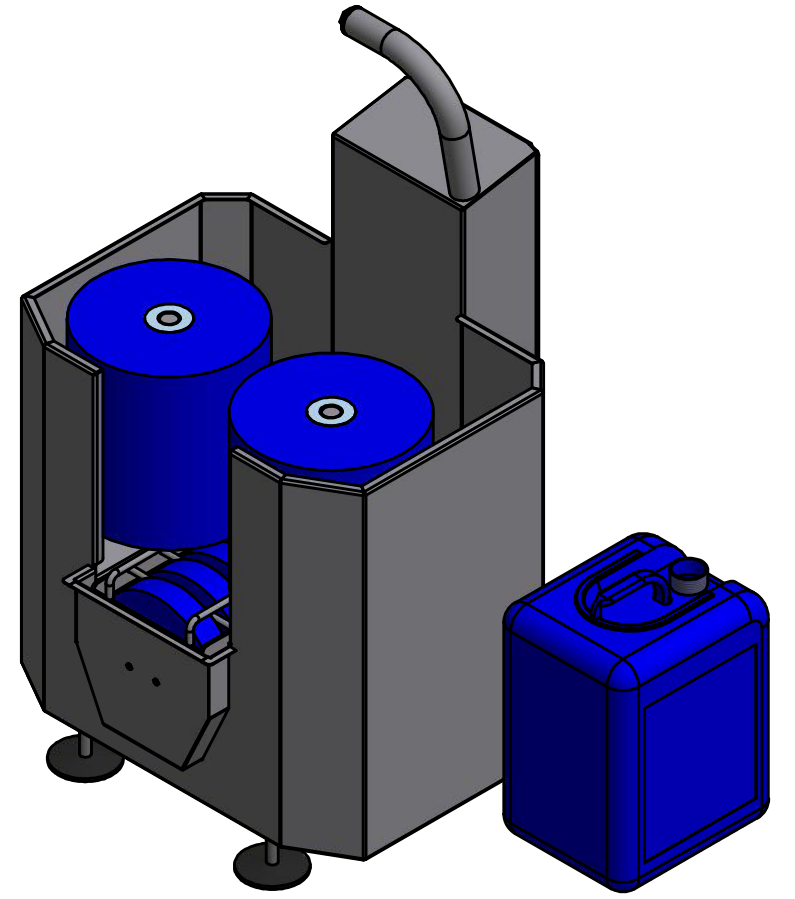
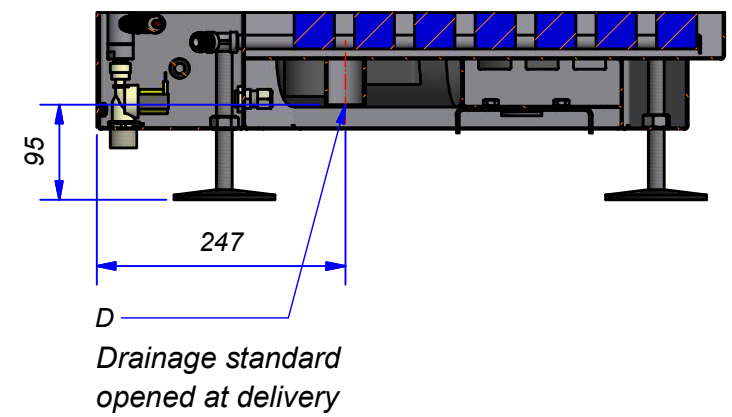
Top view



Front view



B-B (1:7.5)



Connection values

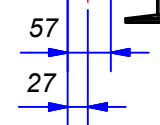
A	Cold water in	3/4" BSP Male
D	Drainage	Ø40 mm
F	Chemical in	
X	Electrics	230 V / 50 Hz (1 ph + E + 0)
	Total power	0,6 kW
	Security	16 A
	Simultaneous value	100 %
	Connection	CC-flex cable 3 x 1,5 mm ²

Transport details

Packing method	Pallet with box
Packed dimensions	
Packed weight	
Weight	

The displayed jerrycan is not part of standard delivery

A →



Title Lay out EZSW				
Article number 83206050	Drawing number 1603004706	Revision	Material AISI 304 (1.4301)	CE
		Projection 	Date 18-11-2016	
Handelstraat 21 5831 AV Boxmeer tel. : +31 (0)485 516969 fax.: +31 (0)485 514022 www.elpress.com		THIS DRAWING IS PROPERTY OF ELPRESS BV. IT IS A CONFIDENTIAL DOCUMENT AND MAY NOT COPIED, USED OR PUBLISHED WITHOUT WRITTEN PERMISSION		