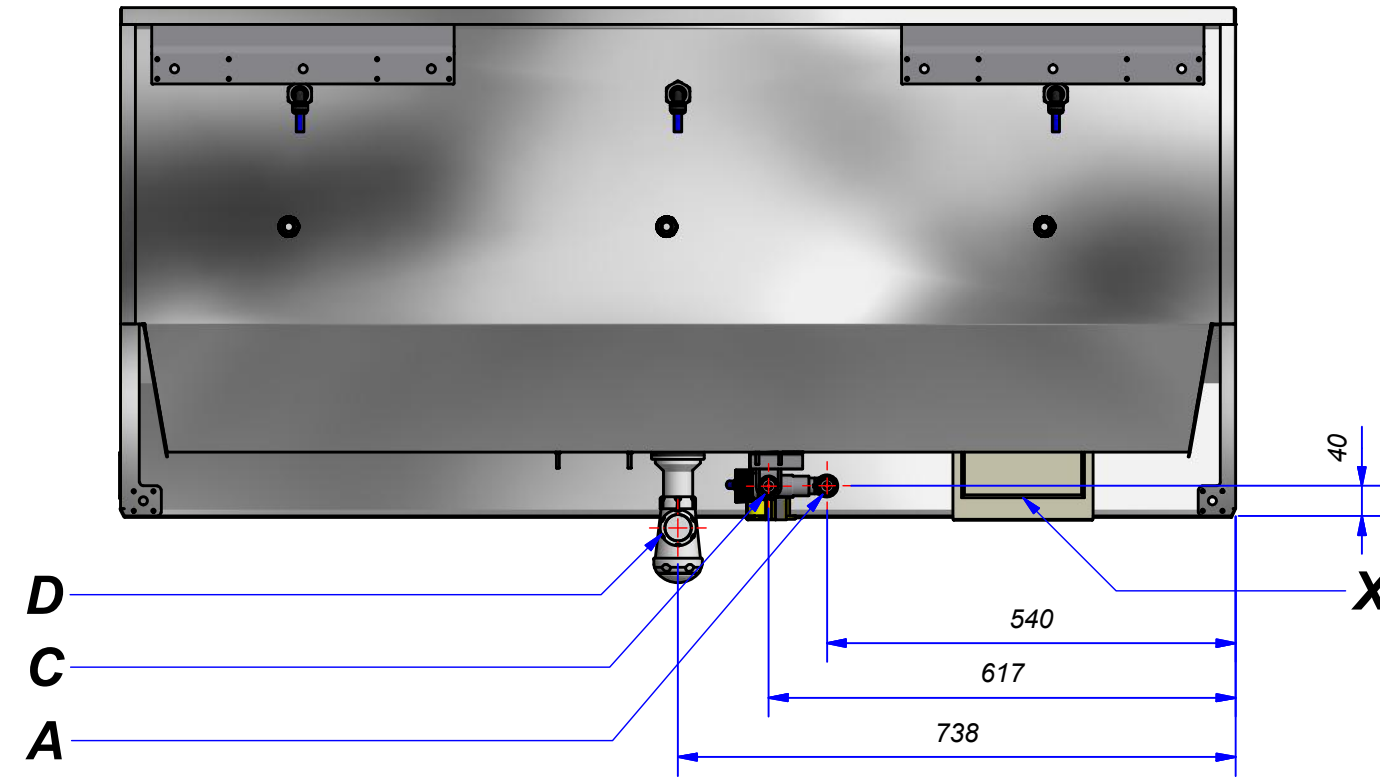
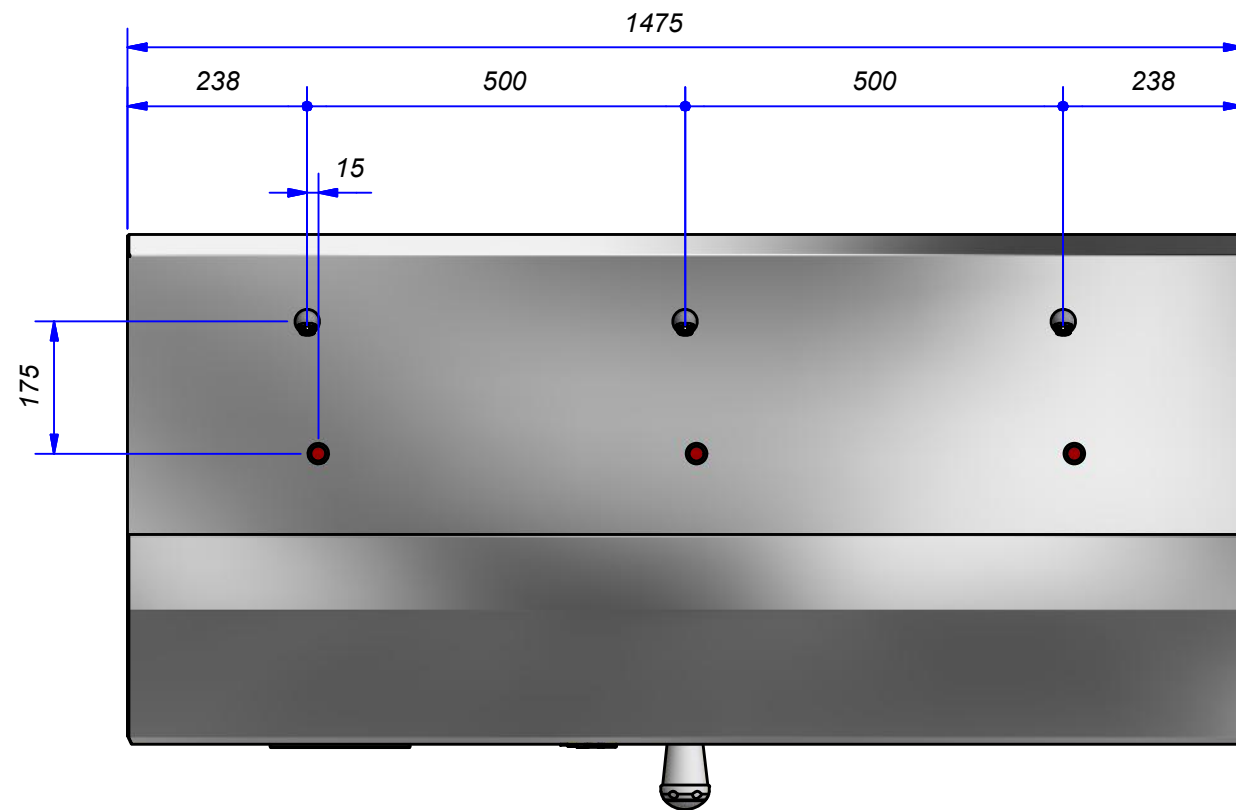


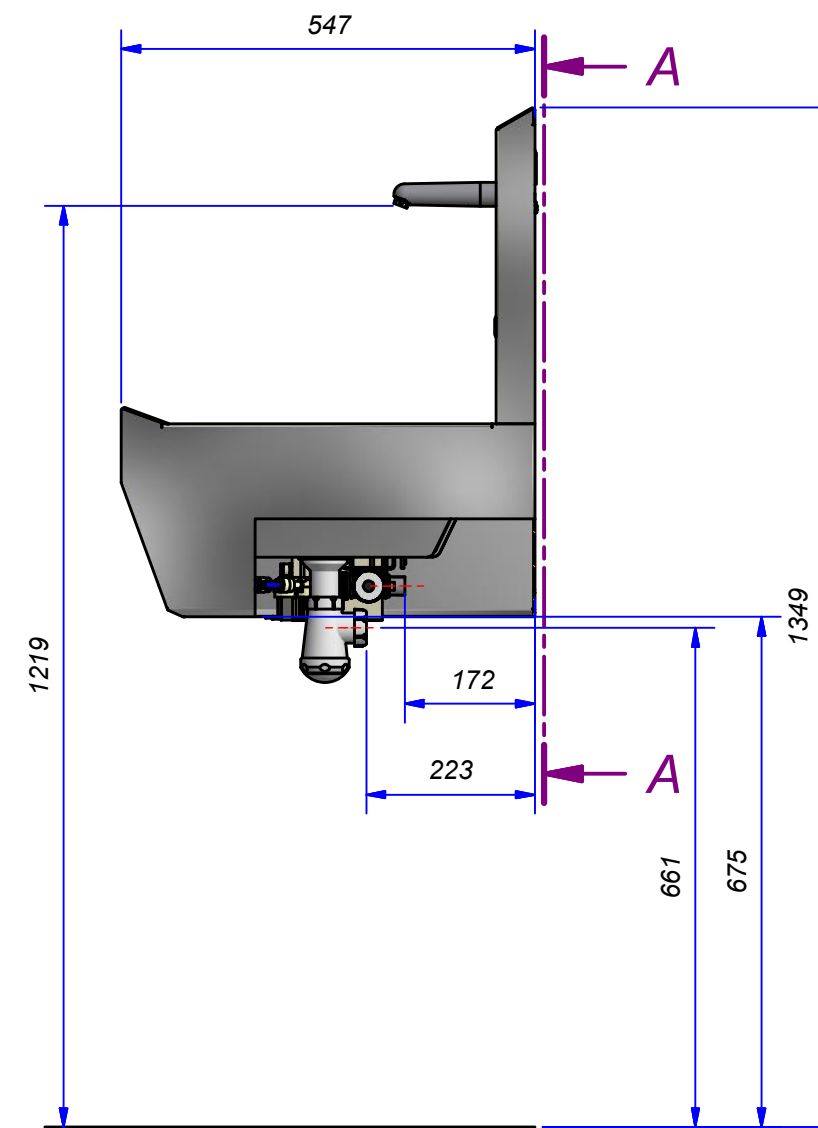
Top view



A (1 : 10)
Back view

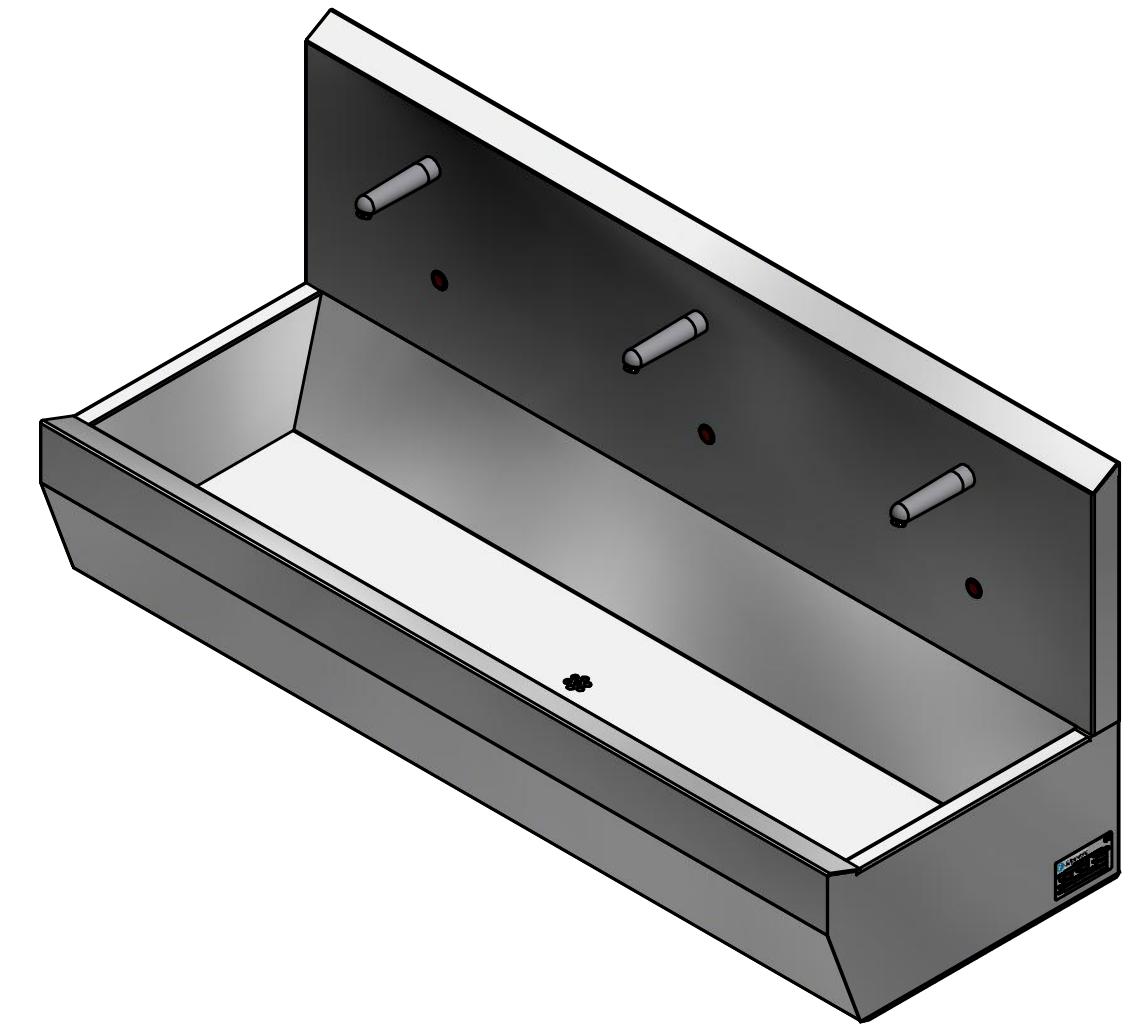


Front view



Recommended mounting height
from floor

Side view



Connection values

A	Water in	1/2" BSP Female
C	Hot water	Max 40°C 1/2" BSP Female
D	Drainage	Ø32 mm
X	Electrics	230 V / 50 Hz (1 ph + E + 0)
	Total power	0,1 kW
	Security	16 A
	Simultaneous value	100 %
	Connection	CEE-shape electrical outlet (3-pole)

Transport details

Packing method	Pallet with box
Packed dimensions	200x60x81 cm
Packed weight	
Weight	

Title Lay out EWG-3S sensor onder kraan					
Article number 18705161 - 83207030	Drawing number 1803003428	Revision	Material AISI 304 (1.4301)	CE	
		Handelstraat 21 5831 AV Boxmeer tel. : +31 (0)485 516969 fax.: +31 (0)485 514022 www.elpress.com	Projection 		Date 8-8-2018
THIS DRAWING IS PROPERTY OF ELPRESS BV. IT IS A CONFIDENTIAL DOCUMENT AND MAY NOT COPIED, USED OR PUBLISHED WITHOUT WRITTEN PERMISSION					